



WEB PANEL - Browser based efficient control



WEB PANEL

4.0 evolution of the classic HMI client

Connect ideas.
Shape solutions.

ESA S.p.A. | www.esa-automation.com |

WEB PANEL - Browser based efficient control

Overview

Smart Tech. Ease of Use.

IPC	SOFTWARE
HMI	IIOT & CLOUD
HMI + SOFT PLC	EMS
PAC	REMOTE ASSISTANCE
WEB PANEL	SCADA
INDUSTRIAL ROUTER	CNC & MOTION
I/O	
DRIVE & MOTOR	



Linux



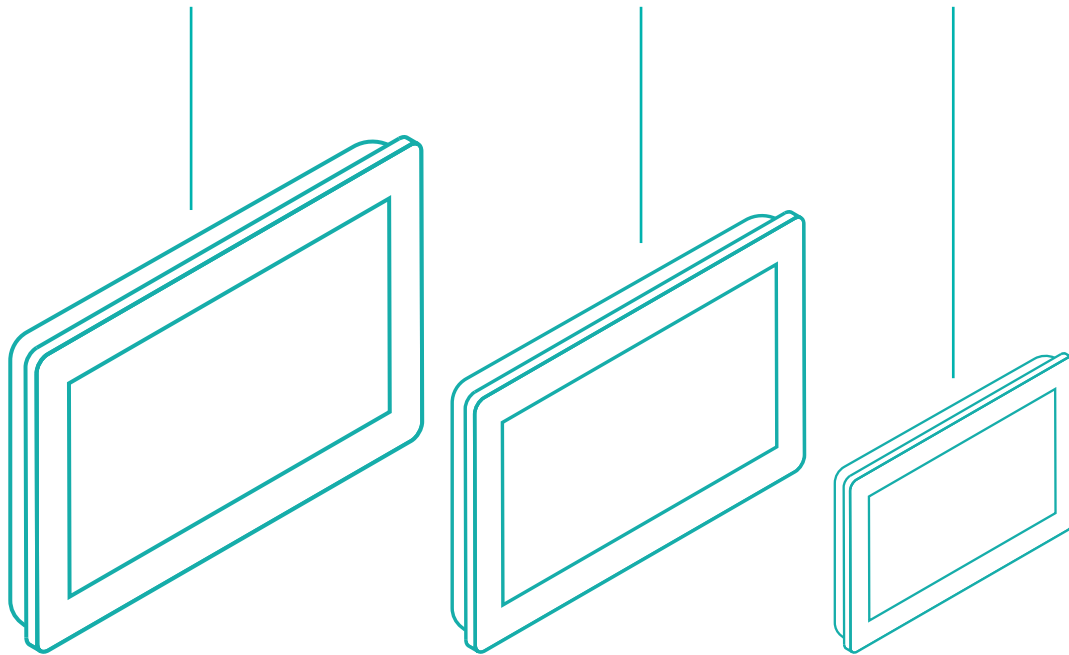
Android



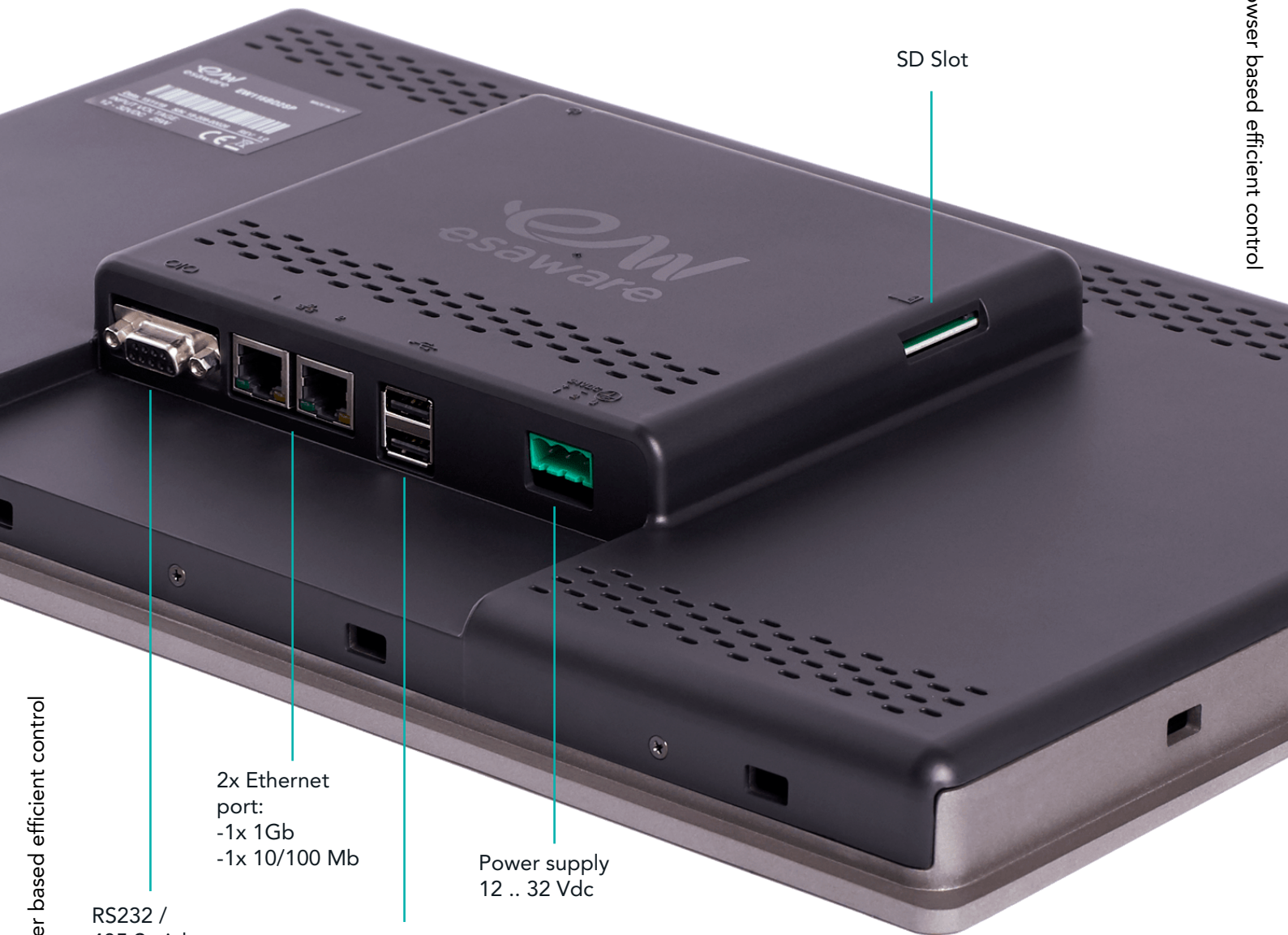
15.6"

10.1"

7"



System configuration



SD Slot

2x Ethernet port:
-1x 1Gb
-1x 10/100 Mb

Power supply
12 .. 32 Vdc

RS232 /
485 Serial
port

USB port
2x USB-A

ESA Web Panel represents the Industry 4.0 based evolution of the classic HMI client. Thanks to the powerful built-in browser and the true flat display up to 15,6", it optimizes the visualization of production data and of any interface developed in HTML5.

Based on Android or Linux OS add more possibility to be tailored on the customer needs, not only to install any kind of application but also customize the launcher and store server.

FEATURES

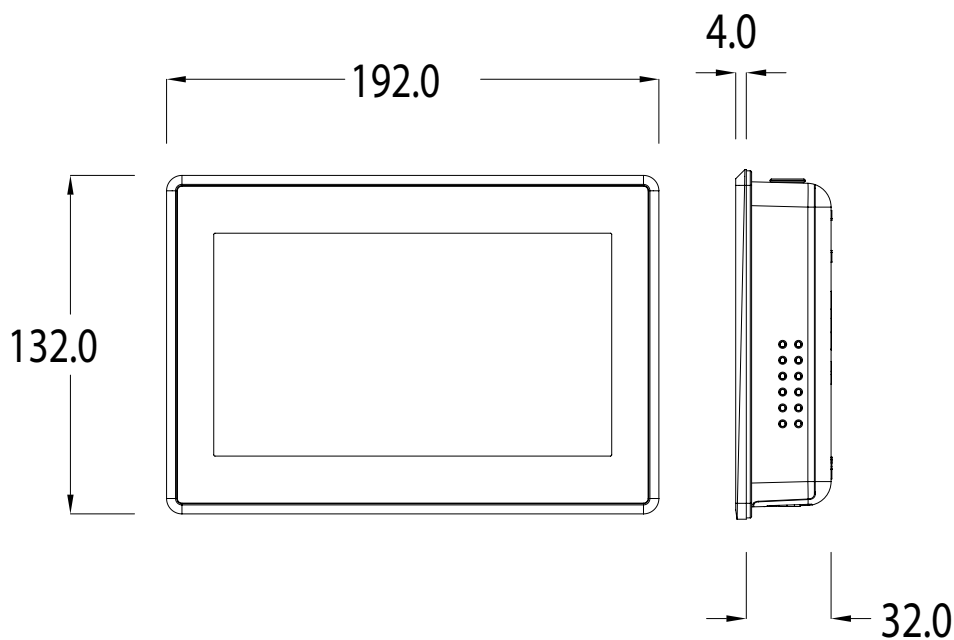
- + Display true flat from 7" to 15" with capacitive touch screen.
- + Can display production data from any controller that generates HTML5 pages (PC or PLC)
- + Industrial grade hardware based on powerful Cortex A9 quad core processor.
- + 2 Ethernet ports.
- + DDR3L RAM 2 Gb on board.
- + SDHC card reader.

APPLICATION

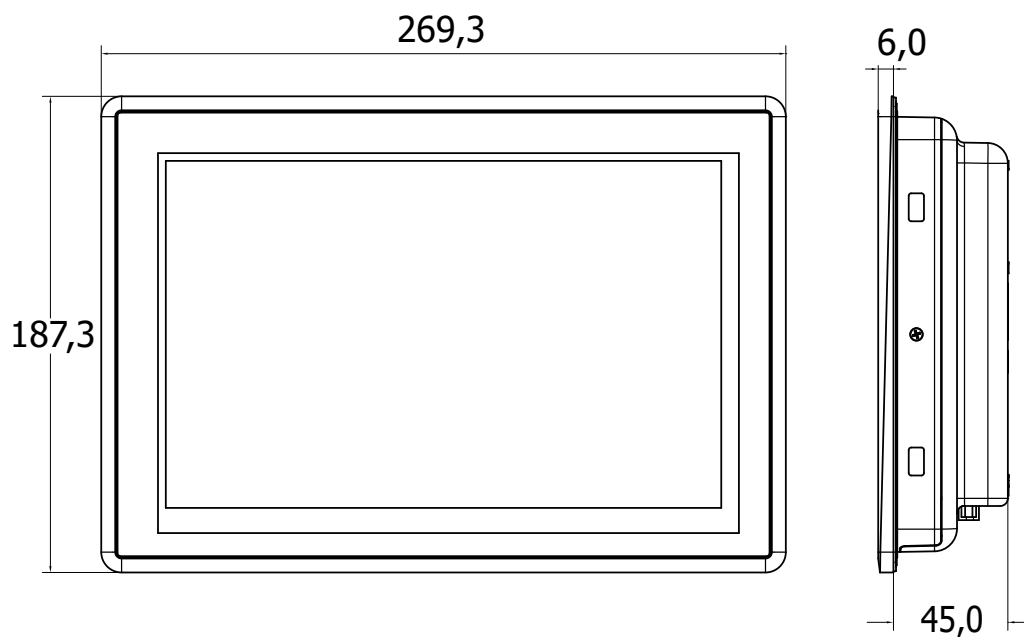
- + Packaging Machine
- + Plastic and rubber machine
- + Steel and Wood working machine
- + CNC
- + Food processing machine
- + Robotics

- + Enhanced by Automation browser (optional)
 - Has been designed for the automation market
 - Extending significantly the range of control platforms, to visualize HTML5 and Java web pages.
 - Can manage the connection with multiple webservers; once opened, the browser shows the list of controllers to which HMI is connected.
- + Panel and VESA solution as option
- + CE / EN 60068-2-6 / EN60068-2-27 / Humidity EN60068-2-30 / UL

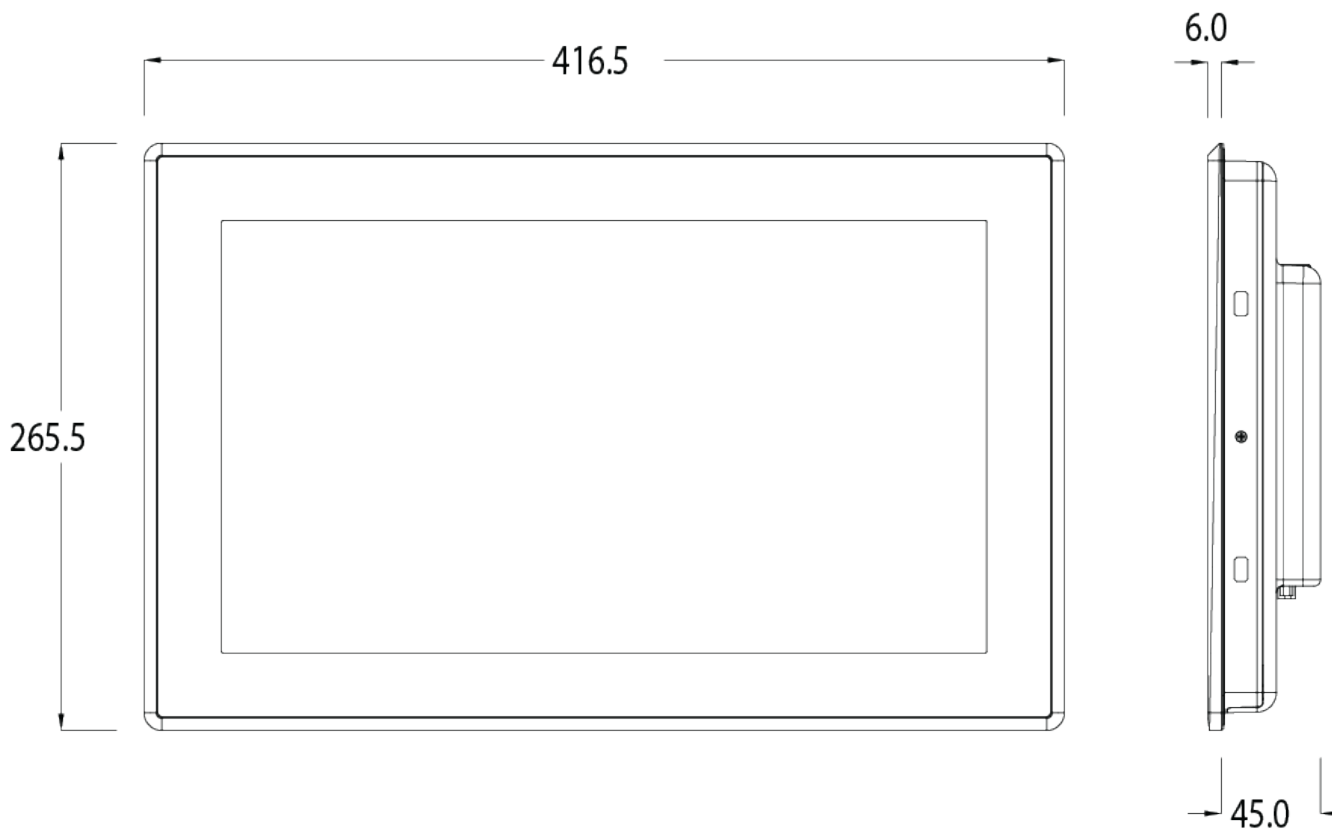
EW107BD



EW110BD



EW115BD



Esaware Web Panel

Browser-based efficient control

LINUX

MODEL	EW107BD4SP0000	EW110BD4SP	EW115BD4SP
Display Size	7"	10.1"	15,6"
Display Technology	TFT	TFT	TFT
Display Colors	16 M	16 M	16 M
Display Backlight	LED	LED	LED
Display Brightness (cd/m ²)	500	350	300
Display Resolution (pixel)	1024 x 600	1280 x 800	1366 x 768
Backlight Life (hours)	50 K	30 K	50 K
Touch Technology	Capacitive	Capacitive	Capacitive
Processor	ARM Cortex A9 Quad-Core	ARM Cortex A9 Quad-Core	ARM Cortex A9 Quad-Core
RAM	2 GB DDR3L	2 GB DDR3L	2 GB DDR3L
Flash	8GB	8GB	8GB
Browser	Chromium / Firefox	Chromium / Firefox	Chromium / Firefox
Ethernet Port	1 x 1 GB + 1 x 10 / 100 Mb	1 x 1 GB + 1 x 10 / 100 Mb	1 x 1 GB + 1 x 10 / 100 Mb
USB Port	2 x vers. 2.0	2 x vers. 2.0	2 x vers. 2.0
Serial Port	1 X RS232/485	1 X RS232/485	1 x RS232 / 485
Expansion Slot	1 x MINI PCI express	1 x MINI PCI express	1 x MINI PCI express
Cardbus slot	1 x SDHC	1 x SDHC	1 x SDHC
Power Supply (Vdc)	12 - 32	12 - 32	12 - 32
Consumption (W)	7	24	24
Operating Temperature (°C)	-10 ... + 50 (non condensing)	-10 ... + 50 (non condensing)	-10 ... + 50 (non condensing)
Storage Temperature (°C)	-20 ... + 65	-20 ... + 65	-20 ... + 65
Humidity	<90% (non condensing)	<90% (non condensing)	<90% (non condensing)
External dimensions(W/H/D) (mm)	192 x 132 x 32	269,3 x 187,3 x 45	416,5 x 265,5 x 45
Cut-out dimensions (W/H) (mm)	185,0 x 125,0	255,5 x 173,5	402,5 x 251,5
Weight (kg)	0.5	1,1	3,7
Protection degree (front)	IP 66	IP 66	IP 66
Certifications	CE / EN60068-2-6 / EN60068-2-27 / Humidity EN60068-2-30 / UL	CE / EN60068-2-6 / EN60068-2-27 / Humidity EN60068-2-30 / UL	CE / EN60068-2-6 / EN60068-2-27 / Humidity EN60068-2-30 / UL

Esaware Web Panel
Browser-based efficient control

ANDROID
EW107BD

MODELLO	EW107BD2SP	EW107BD5SP
Display Size	7"	
Display Technology	TFT	
Display Colors	16 M	
Display Backlight	LED	
Display Brightness (cd/m ²)	500	
Display Resolution (pixel)	1024 x 600	
Backlight Life (hours)	50 K	
Touch Technology	Capacitive	
Processor	ARM Cortex A9 Quad-Core	
RAM	2 GB DDR3L	
Flash	8GB	
Browser	Chrome/ WebView (fullscreen)	Automation Browser
Ethernet Port	1 x 1 GB + 1 x 10 / 100 Mb	
USB Port	2 x vers. 2.0	
Serial Port	1 X RS232/485	
Expansion Slot	1 x MINI PCI express	
Cardbus slot	1 x SDHC	
Power Supply (Vdc)	12 - 32	
Consumption (W)	7	
Operating Temperature (°C)	-10 ... + 50 (non condensing)	
Storage Temperature (°C)	-20 ... + 65	
Humidity	<90% (non condensing)	
External dimensions(W/H/D) (mm)	192 x 132 x 32	
Cut-out dimensions (W/H) (mm)	185,0 x 125,0	
Weight (kg)	0.5	
Protection degree (front)	IP 66	
Certifications	CE / EN60068-2-6 / EN60068-2-27 / Humidity EN60068-2-30 / UL	

Esaware Web Panel
Browser-based efficient control

ANDROID
EW110BD

MODELLO	EW110BD2SP	EW110BD5SP
Display Size	10,1"	10,1"
Display Technology	TFT	TFT
Display Colors	16 M	16 M
Display Backlight	LED	LED
Display Brightness (cd/m ²)	350	350
Display Resolution (pixel)	1280 x 800	1280 x 800
Backlight Life (hours)	30 K	30 K
Touch Technology	Capacitive	Capacitive
Processor	ARM Cortex A9 Quad-Core	ARM Cortex A9 Quad-Core
RAM	2 GB DDR3L	2 GB DDR3L
Flash	8GB	8GB
Browser	Chrome / WebView (fullscreen)	Automation Browser
Ethernet Port	1 x 1 GB + 1 x 10 / 100 Mb	1 x 1 GB + 1 x 10 / 100 Mb
USB Port	2 x vers. 2.0	2 x vers. 2.0
Serial Port	1 x RS232 / 485	1 x RS232 / 485
Expansion Slot	1 x MINI PCI express	1 x MINI PCI express
Cardbus slot	1 x SDHC	1 x SDHC
Power Supply (Vdc)	12 - 32	12 - 32
Consumption (W)	24	24
Operating Temperature (°C)	-10 ... + 50 (non condensing)	-10 ... + 50 (non condensing)
Storage Temperature (°C)	-20 ... + 65	-20 ... + 65
Humidity	<90% (non condensing)	<90% (non condensing)
External dimensions(W/H/D) (mm)	269,3 x 187,3 x 45	269,3 x 187,3 x 45
Cut-out dimensions (W/H) (mm)	255,5 x 173,5	255,5 x 173,5
Weight (kg)	1,1	1,1
Protection degree (front)	IP 66	IP 66
Certifications	CE / EN60068-2-6 / EN60068-2-27 / Humidity EN60068-2-30 / UL	CE / EN60068-2-6 / EN60068-2-27 / Humidity EN60068-2-30 / UL

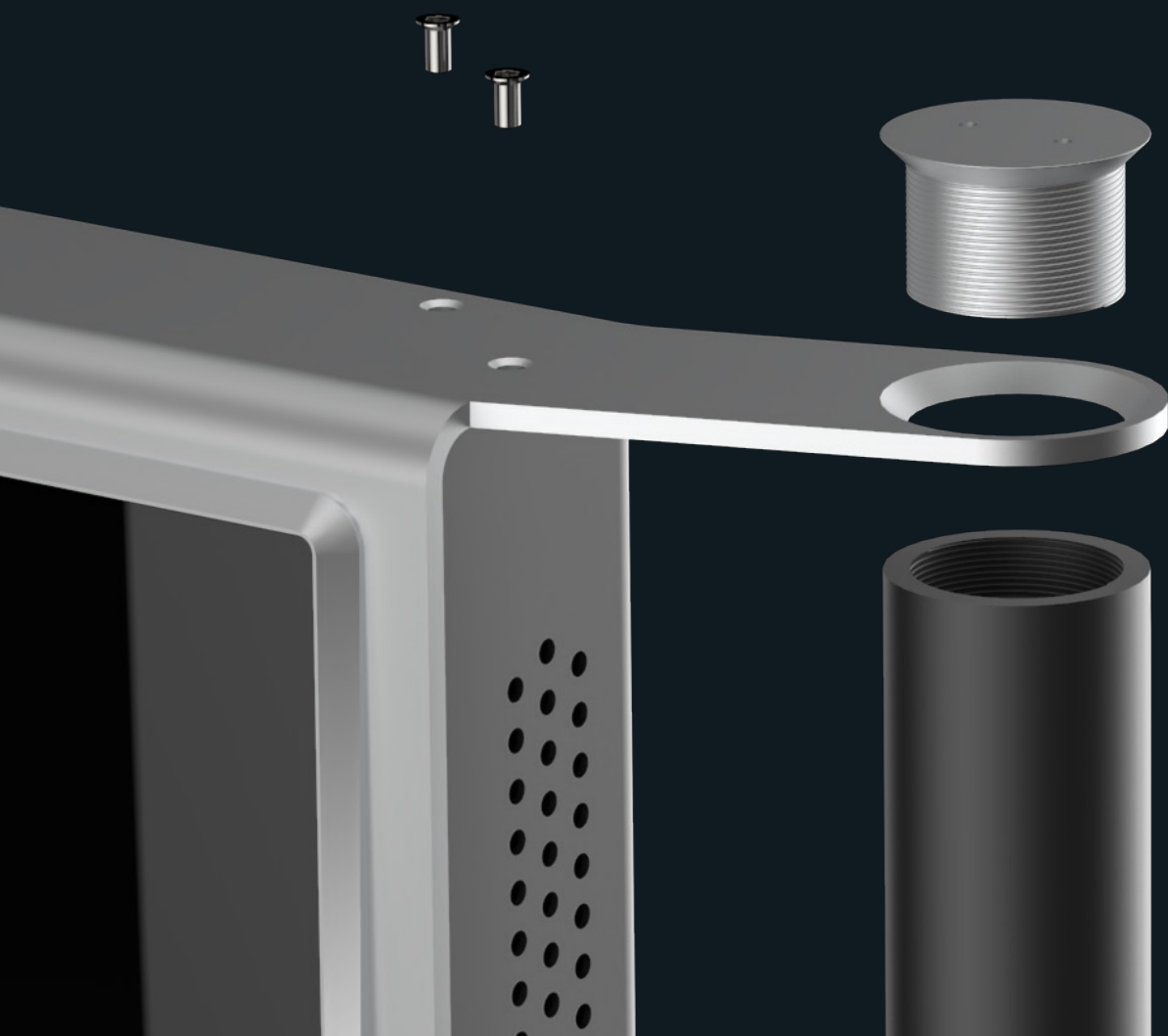
Esaware Web Panel
Browser-based efficient control

ANDROID

EW115BD

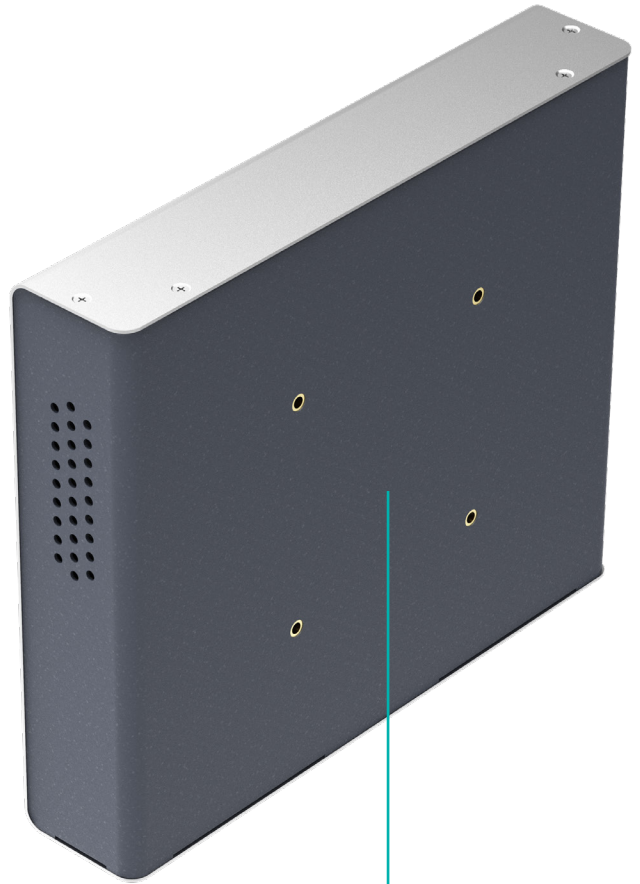
MODELLO	EW115BD2SP	EW115BD5SP
Display Size	15,6"	
Display Technology	TFT	
Display Colors	16 M	
Display Backlight	LED	
Display Brightness (cd/m ²)	300	
Display Resolution (pixel)	1366 x 768	
Backlight Life (hours)	50 K	
Touch Technology	Capacitive	
Processor	ARM Cortex A9 Quad-Core	
RAM	2 GB DDR3L	
Flash	8GB	
Browser	Chrome / WebView (fullscreen)	Automation Browser
Ethernet Port	1 x 1 GB + 1 x 10 / 100 Mb	
USB Port	2 x vers. 2.0	
Serial Port	1 x RS232 / 485	
Expansion Slot	1 x MINI PCI express	
Cardbus slot	1 x SDHC	
Power Supply (Vdc)	12 - 32	
Consumption (W)	24	
Operating Temperature (°C)	-10 ... + 50 (non condensing)	
Storage Temperature (°C)	-20 ... + 65	
Humidity	<90% (non condensing)	
External dimensions(W/H/D) (mm)	416,5 x 265,5 x 45	
Cut-out dimensions (W/H) (mm)	402,5 x 251,5	
Weight (kg)	3,7	
Protection degree (front)	IP 66	
Certifications	CE / EN60068-2-6 / EN60068-2-27 / Humidity EN60068-2-30 / UL	

ACCESSORIES





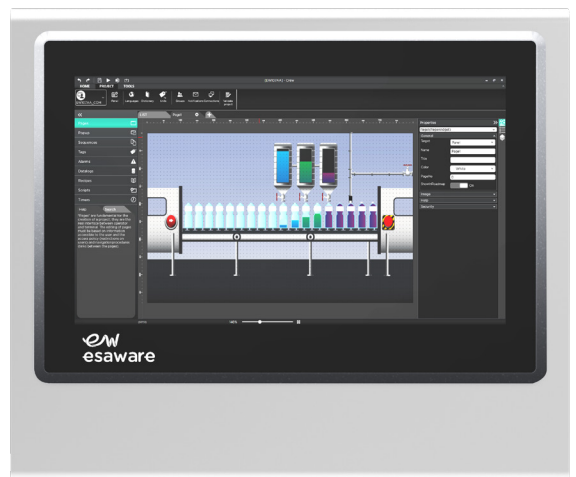
Hole D.25 mm
Cable through



VESA Arm fixing kit

VESA BOX

Simple design ready for VESA mounting; available for all sizes (7" - 10,1" - 15,6") with IP21 protection level.





HAND HELD

Handheld solution including possibility to have customized push buttons.



ACCESSORIES

CODE	DESCRIPTION
EW107NN0PF	Transparent adhesive protection foil for Touch Screen 7". 5 pieces pack
EW115NN0PF	Transparent adhesive protection foil for Touch Screen 15". 5 pieces pack
PWR220-24A	Universal power supply 110-220VAC 50/60 Hz - Type L plug
PWR220-24B	Universal power supply 110-220VAC 50/60 Hz - Schuko (Type F+E plug)
EWACCWIFI000000	ANTENNA WIFI USB HMI LINUX
EWACCVESABOX07W	WebPanel BOX for EW107BD - 210x180x42 mm
EWACCVESABOX15W	WebPanel BOX for EW115BD - 485x335 mm - Handle L. 225 mm

ORDER CODE

												Personalizzazioni				
EW	X	X	X	X	X	X	X	X	X	X	X	X	X	X	X	X
Serie																
1= 100																
LCD																
04= 4,3" wide																
07= 7" wide																
10= 10.1" wide																
12= 12,1" wide																
15= 15,6" wide																
Front / Touch																
B= AluTeflon Capac																
Type																
D= Web Panel																
RT																
2= Android OS*																
4= Linux*																
5= Android OS + Automation Browser*																
Opzione Porte																
SP= Porta seriale																
Opzione Wireless																
00 = no radio option																
Personalizzazione																
empty = No Personalizzazione																

* Da usare solo in combinazione con codice Type D



Download our free App to get
ESA Catalog
on your smartphone or tablet

The complete range of ESA products
on your smartphone and tablet with one
tap.



Download from





ESA S.p.A. | Headquarters
Via Padre Masciadri 4/A
22066 Mariano Comense (CO) Italy
Tel. +39 031 757400
Fax. +39 031 751777
info@esa-automation.com

ESA energy S.r.l.
Via Fortunato Zeni 8
38068 Rovereto (TN) - Italy
Tel. +39 0464 443272
Fax. +39 0464 443273

ESA Europa S.L.U.
Passeig del Ferrocarril, 335
08860 Castelldefels (Barcelona) - España
Tel. +34 936455014
Fax. +34 936455013

ESA Automation Technology (Shanghai) Co. Ltd
Room1006-2, Building 21B, 1158 Zhongxin Road,
Songjiang Dist. Shanghai, CHINA
Tel: 021-60907250
Fax: 021-60907258
Post code: 201199

ESA S.p.A. | LBU
Via Molise, 1 - Z.I. Gello
56025 Pontedera (PI) - Italy
Tel. +39 0587 296014
Fax. +39 0587 294240

ESA S.p.A. | LBU
Via Monari Sardè 14
40010 Bentivoglio (BO)
Tel. +39 051 6640464

ESA Elettronica GmbH
Carl-Zeiss-Strasse, 35
63322 Rödermark - Deutschland
Tel. +49 6074 486 45 0
Fax. +49 6074 486 45 66

ESA Software & Automation India Pvt. Ltd
HYBRID TOWERS , NO: 5AC-101 , 1st Floor, 2nd
Main,HRBR Layout, 3 rd Block,Kalyan Nagar Post,
Bangalore-560 043 – INDIA
Tel. +91 80 25435656

ESA Elektronik Technology Ticaret Limited Şirketi
Mahmutbey Mahallesi Taşocağı yolu caddesi
Ağaoğlu 212 My Office No:3 Ofis No:239
Bağcılar/Istanbul - Türkiye
Tel: +90(212) 809 49 00-01
Fax: +90(212) 809 49 02

Connect
ideas.
Shape
solutions.

ESA S.p.A. | www.esa-automation.com |